



M150

Medium-speed rotary press

Delivering efficient and reliable operations while keeping your investment low

About

Need a plug-and-play compacting solution? Need easy integration within complex environments?

Considered as one of the world leading detergent press on the market installed across more than 100 production lines, the M150 is a fully automated press designed to meet the needs of medium-speed production line for multi-layer detergent tablets, and thus from any powder types and shapes.

The flexible feeding system and the high compression load of the M150 helps you save on your formulas by minimizing the waste of costly components.

The 360° access to the compacting area guarantees easy cleaning, fast changeovers and maintenance on your punches with maximum safety.

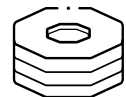
Products



Tablet

Diameter: up to 54 mm
Height: up to 31 mm

Special sizes and shapes upon request



Layers

From 1 to 3 layers

Output

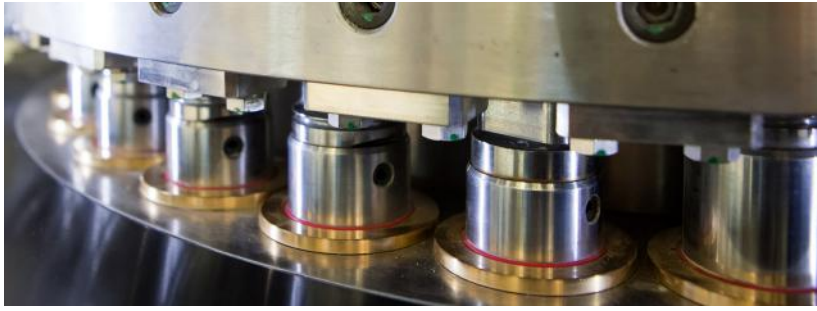
Up to **900 tabs/min***

*output depends on powder and operation conditions



Benefits

- Reduced capex
- High tablet quality for an overall equipment effectiveness (OEE) rate of 98%
- Optimal tablet hardness for optimal dissolution time and weight
- Minimum powder waste: less than 2%
- Rapid changeovers
- Intuitive production setup and controls
- Easy to operate, inspect and service
- Compact size for reduced footprint
- Efficient integration to the packaging line



Features

- Double punch technology
- Flexible feeding system
- High compression load
- 19" touch screen interface, incl. SmartPress
- Noise-insulating upper housing
- Integrated and vibration-free drive area



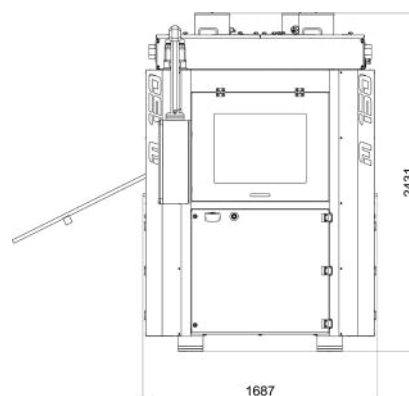
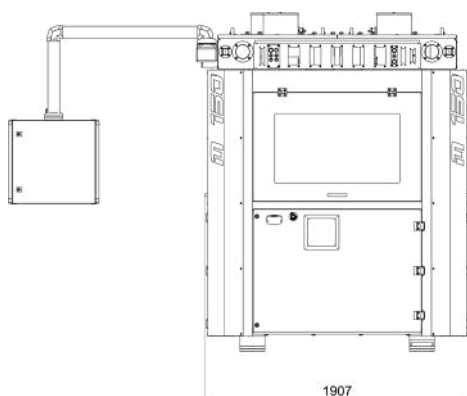
Did you know?

Operations made easy | Our advanced HMI offers a simple and intuitive operating system to ease operations, minimize human errors while optimizing maintenance and operator training. Its 19" touch screen brings direct access to comprehensive process graphics and key functions via pictogram buttons, helping you to setup production parameters, run and monitor operations.

Add-on options | **SmartPress Maintenance** – providing operators with 3D tutorials and product documentation, and **SmartPress Reporting** – calculating and analyzing your Overall Equipment Effectiveness (OEE) in real-time to improve production efficiency.

Technical Data

Number of outlets	1
Number of punch stations	33
Circulating diameter	730 mm
Maximum turret speed	30 rpm
Compression load	Up to 150 kN
Maximum power consumption	60 kVA
Weight	8,000 kg



Dimensions

Length: 1,687 mm

Width: 1,907 mm

Height: 2,431 mm

ID: DS-M150-140222