



Robotic Nest Filling Machines RNFM





RNFM

Process



In order to meet the customers' increasing demand for flexibility, STERILINE has designed and manufactured a robotic aseptic filling line for syringes.

This complete filling line consists of:

- Bag removal section
- De-lining Section
- De-nesting
- Filling and Stoppering section
- Weighing section
- Re-Nesting section

Two VHP resistant six axis robotic arms, from Stäubli in Switzerland, realize all the movements in the de-lining and filling section.

STERILINE has developed three models of Robotic Nest Filling Machines:

- RNFM 2 with 2 filling pumps, up to 4500 pcs/h
- RNFM 5 with 5 filling pumps, up to 11.000 pcs/h

Since the beginning of the design phase, STERILINE has been considering the capability to integrate the machine in an Isolator system. This approach has been finalized in an economical, effective and ergonomic solution. Furthermore, the following technical features have been considered and implemented:



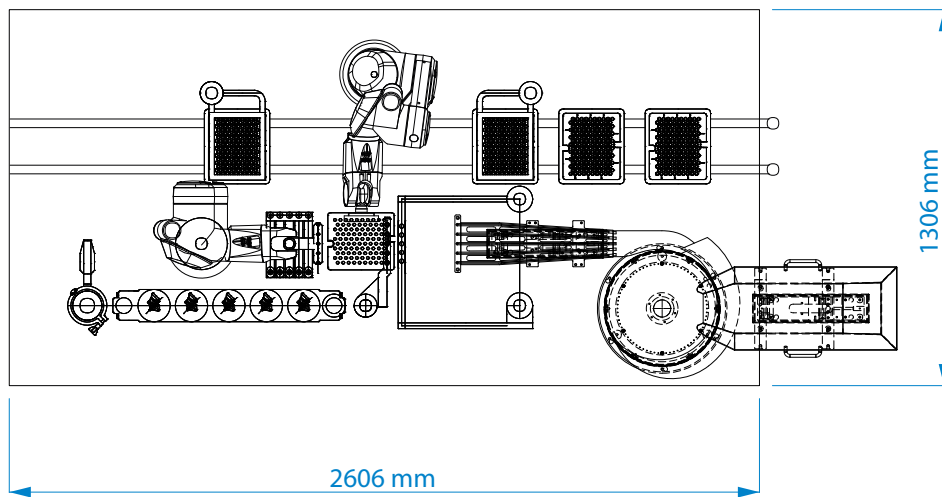
- Statistical Check Weighing System
- Vacuum filling
- Vacuum stoppering
- Nitrogen gassing station
- Viable and non-viable particle monitoring
- Exchangeable pump systems (volumetric/peristaltic)

STERILINE Robotic Nest Filling Machines are designed to be perfectly integrated with our superior containment systems: Open RABS, Closed RABS and Isolators.

All STERILINE Filling Machines are in compliance with cGMP, GAMP and 21CFR Part11 requirements.



Overall Dimensions



Steriline S.r.l.

Via Tentorio, 30
22100 Como - ITALY
T +39 031.592064
sales@steriline.it
www.steriline.it