

CAP QUALITY

BEFORE CAPPER MACHINE

FLAT CAP
CAP WITHOUT FLAT BASE (EX: SPORT CAP)
BRAND INSPECTION NEEDED



THE MOST RELIABLE SYSTEM TO INSPECT THE CAP QUALITY

THE SYSTEMS WILL
**DETECT DEFECTIVE CAPS THAT MAY
CAUSE IMPROPER CONTAINER CLOSURE,
AFFECT THE CAPPER PERFORMANCE
OR LINE EFFICIENCY**

**IMPROVE
YOUR LINE PRODUCTIVITY
DECREASING:**

- ✓ FILLED BOTTLES **REJECTS**
- ✓ CAPPER MACHINE **JAMS**
- ✓ **STOP LINE HOURS**

**FLAT CAP – SPORT CAP
SHAPED CAP**

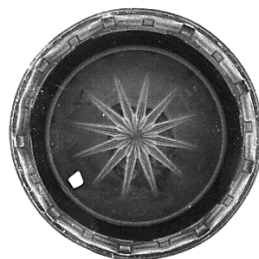


THE SYSTEMS WILL DETECT DEFECTIVE CAPS THAT MAY CAUSE IMPROPER CONTAINER CLOSURE,
AFFECT THE PERFORMANCE OF THE CAPPER OR CREATE A JAM IN THE CAP CHUTE

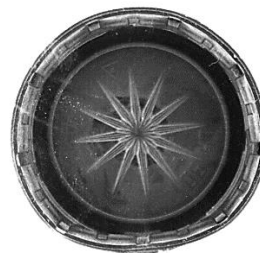
STANDARD upper camera

- OVERTURNED cap
- Cap/Tamper Evident OVALITY
- Cap/Tamper Evident DIAMETER
- TAMPER EVIDENT missing ring
- TAMPER EVIDENT deformation
- SEALING RING damage
- CONTAMINAT / STAINS

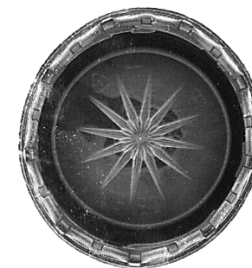
CONTAMINANT



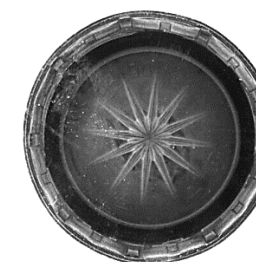
DEFORMATION



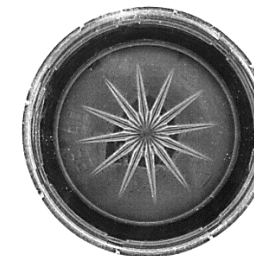
OVALITY



SEALING RING

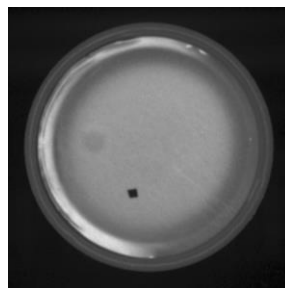


MISSING RING

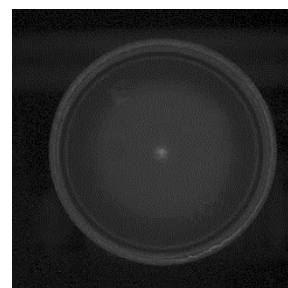


FLAT
CAP

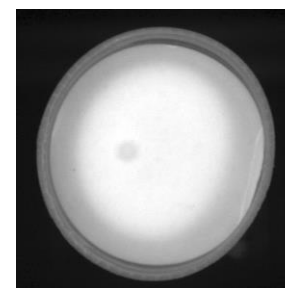
CONTAMINANT



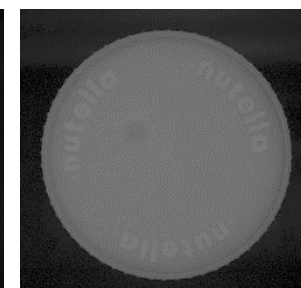
MISSING FOIL



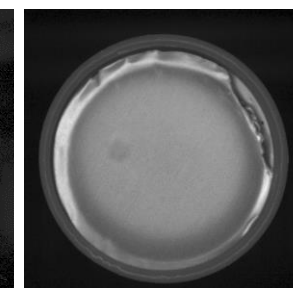
OVALITY



UP SIDE DOWN

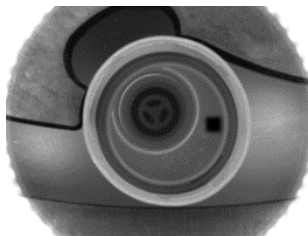


DAMAGED FOIL

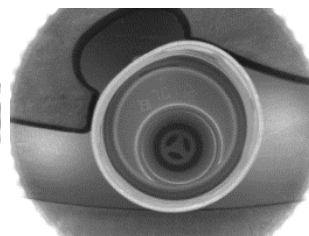


CAP
WITH FOIL

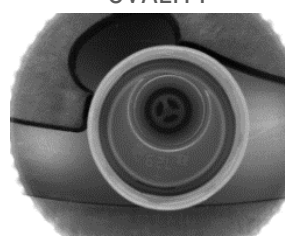
CONTAMINANT



DEFORMATION



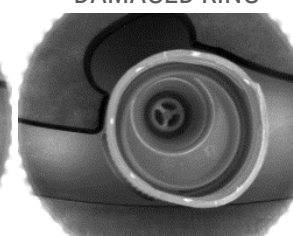
OVALITY



SEALING RING



DAMAGED RING



SPORT
CAP

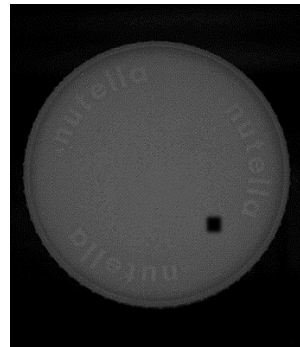
THE SYSTEMS WILL DETECT DEFECTIVE CAPS THAT MAY CAUSE IMPROPER CONTAINER CLOSURE,
AFFECT THE PERFORMANCE OF THE CAPPER OR CREATE A JAM IN THE CAP CHUTE

OPTIONAL + 1 Lower camera

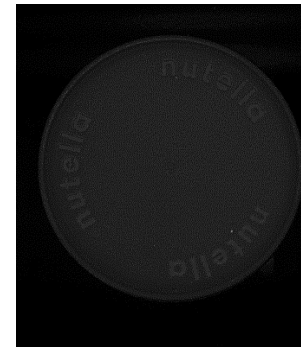
Std. Camera

- BRAND inspection
- CONTAMINAT./STAINS
- OVALITY/DEFORMATION
- GREY TONE

CONTAMINANT



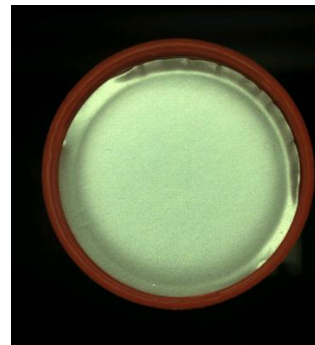
GRAY TONE
[Cap color]



BRAND



UP SIDE DOWN



CAP COLOR



COLOR Camera

- CAP COLOR

THE SYSTEMS WILL DETECT DEFECTIVE CAPS THAT MAY CAUSE IMPROPER CONTAINER CLOSURE, AFFECT THE PERFORMANCE OF THE CAPPER OR CREATE A JAM IN THE CAP CHUTE

FLAT CAP – SPORT CAP – SHAPED CAP



STANDARD upper camera

- OVERTURNED cap
- Cap/Tamper Evident OVALITY
- Cap/Tamper Evident DIAMETER
- TAMPER EVIDENT missing ring
- TAMPER EVIDENT deformation
- SEALING RING damage
- CONTAMINAT / STAINS

OPTIONAL – Cap lower side Insp.

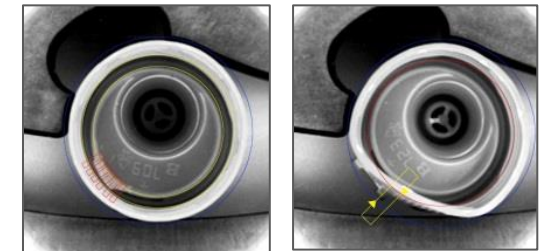
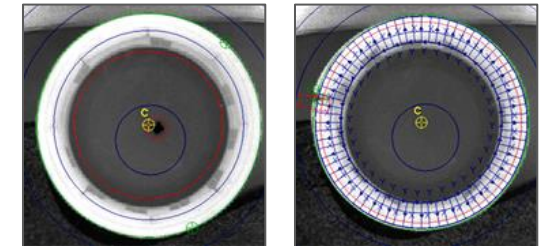
LOWER CAMERA

- BRAND inspection
- CONTAMINAT /STAINS
- OVALITY/DEFORMATION
- GREY TONE (cap color)

AVAILABLE Configuration – Integrated on cap elevator

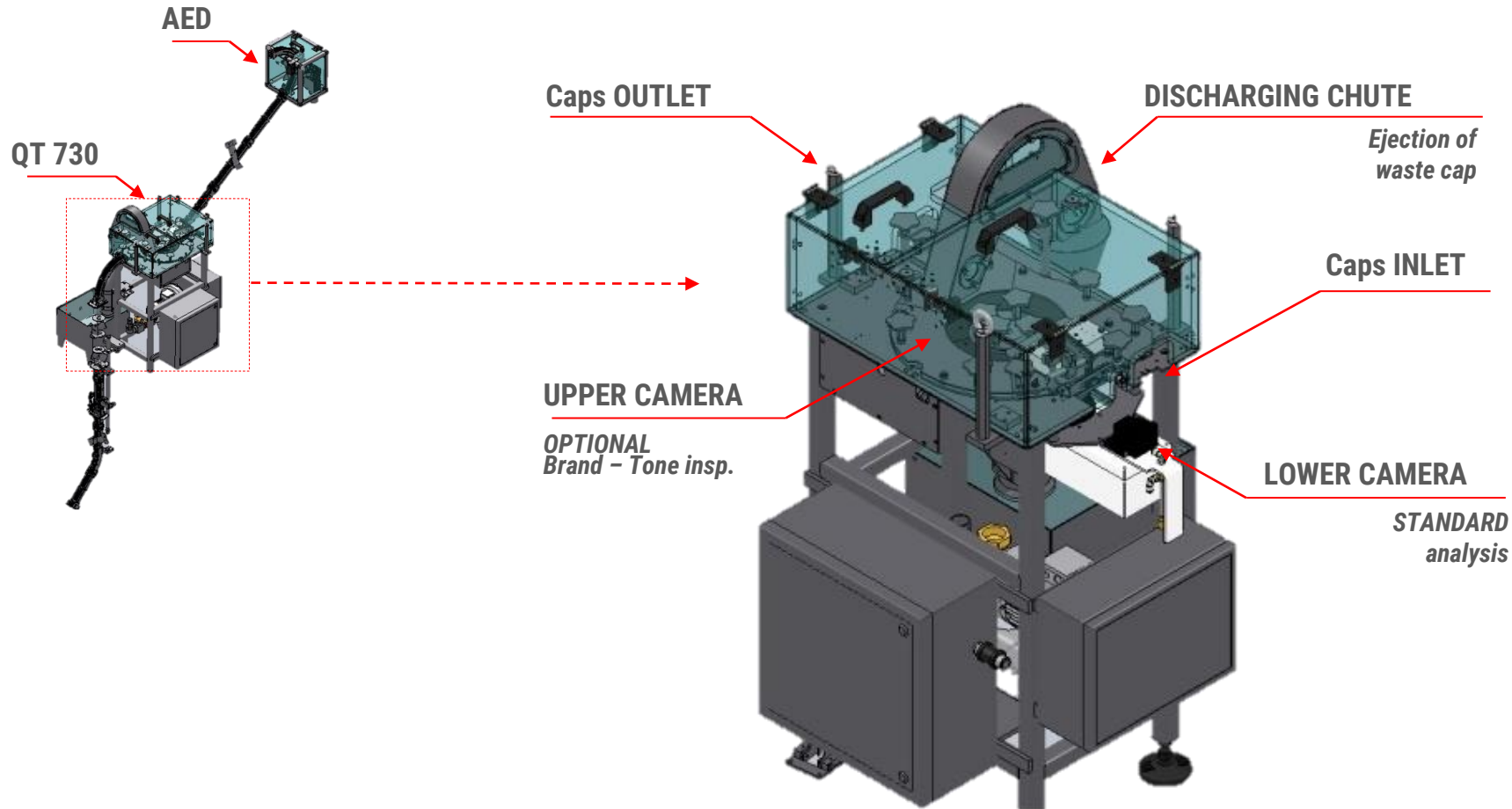
Upper Camera + Lower Camera + Lateral CAMERAS

- Standard QT analysis
- Tamper Band DEFORMATION
- Tamper band BROKEN BRIDGES
- Cap HEIGHT error
- Cap/Tamper Band DAMAGE



+ INFO

THE SYSTEMS WILL DETECT DEFECTIVE CAPS THAT MAY CAUSE IMPROPER CONTAINER CLOSURE,
AFFECT THE PERFORMANCE OF THE CAPPER OR CREATE A JAM IN THE CAP CHUTE



STANDARD CONFIGURATION

1 cameras -Internal side inspection

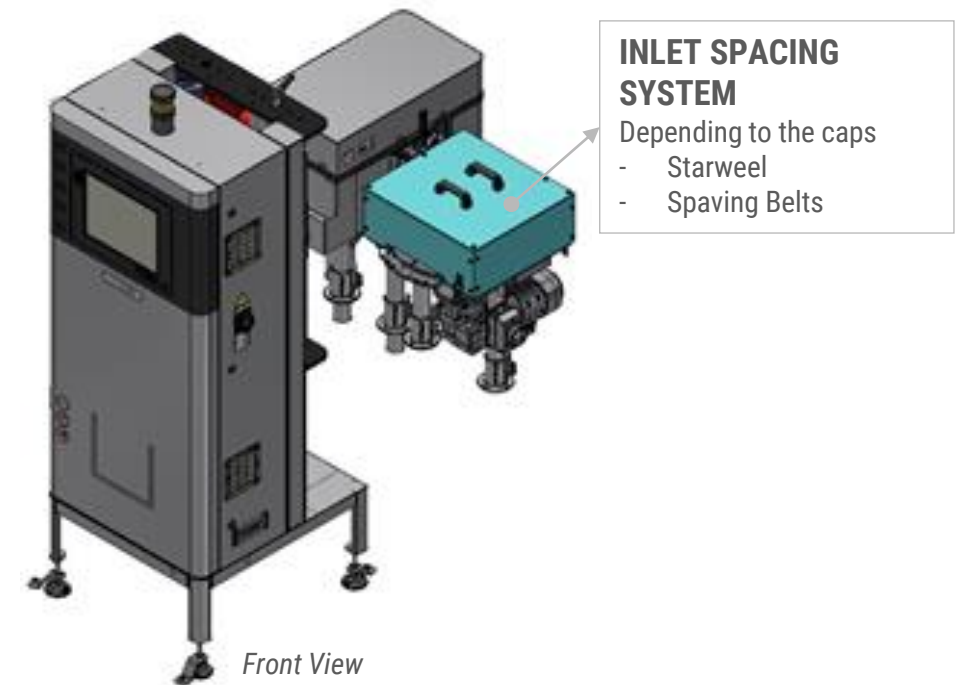
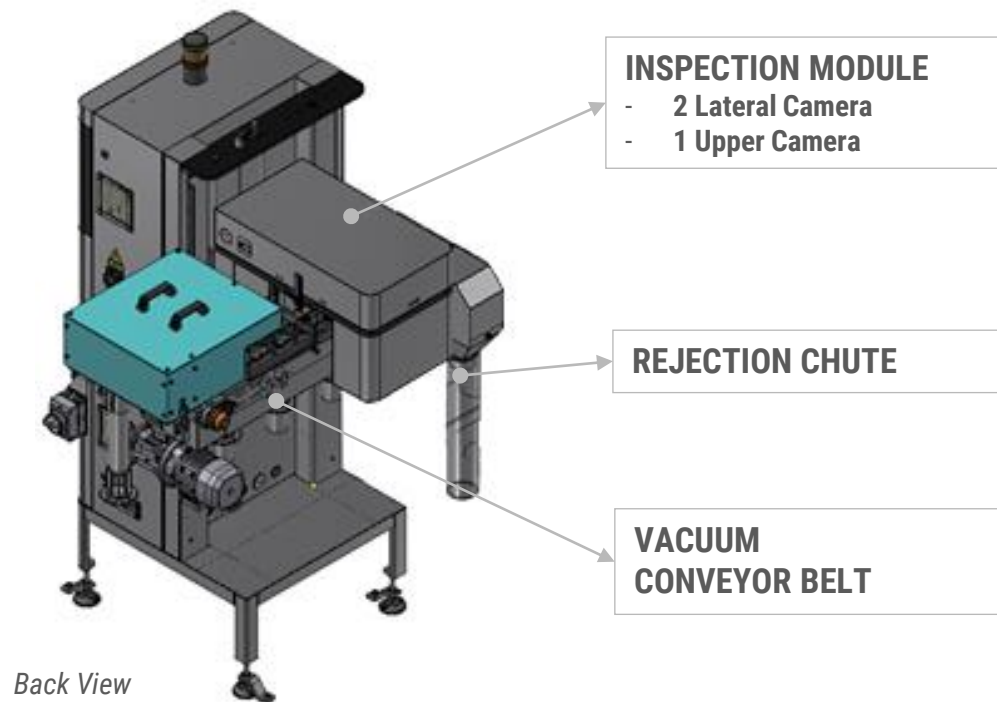
OPTIONAL

2nd Camera - Upper side inspection

THE SYSTEMS WILL DETECT DEFECTIVE CAPS THAT MAY CAUSE IMPROPER CONTAINER CLOSURE,
AFFECT THE PERFORMANCE OF THE CAPPER OR CREATE A JAM IN THE CAP CHUTE

OPTIONAL CONFIGURATION

MULTIPLE CAMERAS SYSTEM on VACUUM CONVEYOR BELT for a Lateral and upper inspection

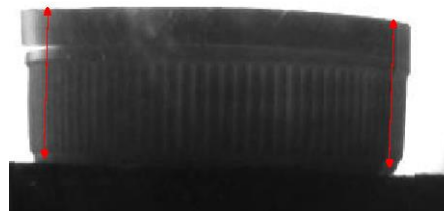


THE SYSTEMS WILL DETECT DEFECTIVE CAPS THAT MAY CAUSE IMPROPER CONTAINER CLOSURE,
AFFECT THE PERFORMANCE OF THE CAPPER OR CREATE A JAM IN THE CAP CHUTE

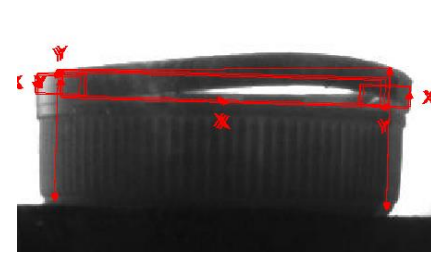
LATERAL CAMERA INSPECTIONS

- Tamper Band DEFORMATION
- Tamper band BROKEN BRIDGES
- Cap HEIGHT error
- Cap/Tamper Band DAMAGE

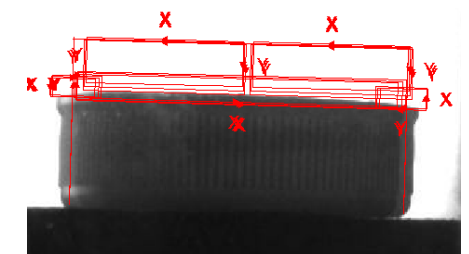
CAP HEIGHT



DAMAGED
TAMPER BAND



MNISSING
TAMPER BAND



... and standard QT Inspection

- OVERTURNED cap
- Cap/Tamper Evident OVALITY
- Cap/Tamper Evident DIAMETER
- TAMPER EVIDENT missing ring
- TAMPER EVIDENT deformation
- SEALING RING damage
- CONTAMINAT / STAINS

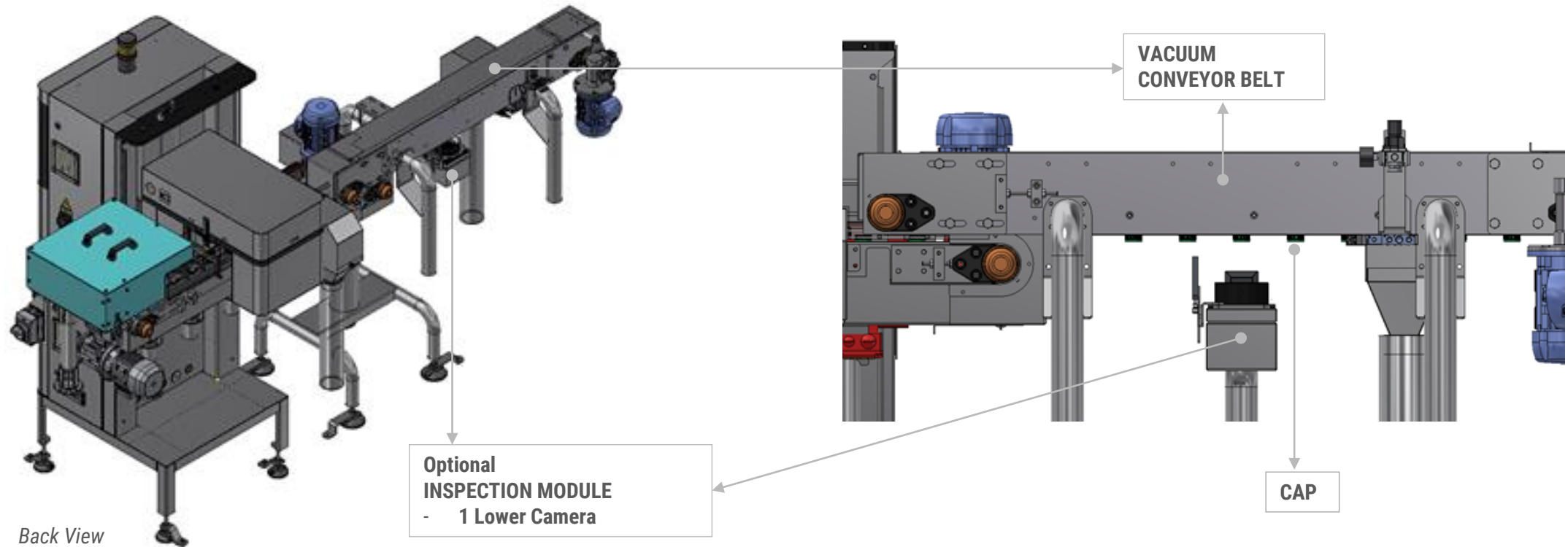
Std. Insp.



THE SYSTEMS WILL DETECT DEFECTIVE CAPS THAT MAY CAUSE IMPROPER CONTAINER CLOSURE,
AFFECT THE PERFORMANCE OF THE CAPPER OR CREATE A JAM IN THE CAP CHUTE

MARE QUALITY PROTECTION

OPTIONAL CAMERA for the LOWER INSPECTION



Back View



THANKS FOR YOUR ATTENTION

www.ftsystem.com
www.antaresvision.com