

Anritsu

For detection of extremely small contaminants

X-ray Inspection System

KD74-h Series

New!



KD74-h Series with New Detector Debut !

Metal Detection down to 0.2 mm Dia. (KD7405CWT)

High-Sensitivity Detection of Low-Contrast Contaminants (KD7405DWH)

KD7405CWT / KD7405DWH

Features

- New detector**

A uniquely-sensitive detector enables detection of contaminants down to 0.2-mm dia.

- New algorithm optimally tuned for detector**

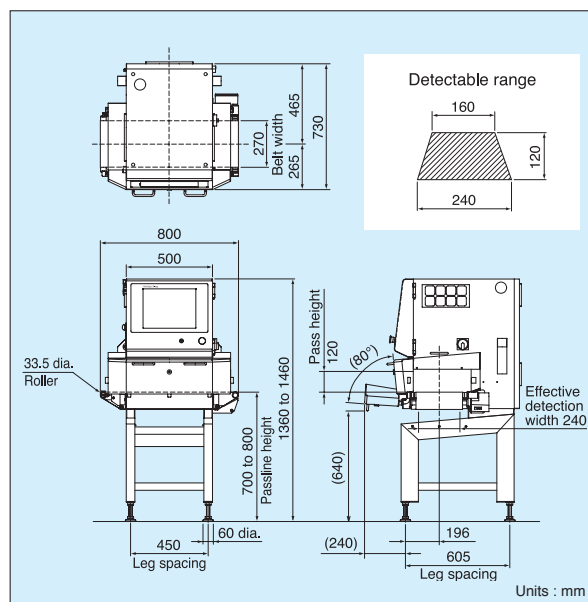
Anritsu's original algorithm tuned for its new detector offers highly sensitive detection of low-contrast contaminants, such as bone and plastics.

The detection sensitivity has improved by up to three ranks (in-house comparison).

- Smoother operability**

A new controller supports faster operation with excellent operability as well as user-friendly simple functions.

External Dimensions



Specifications

Model	KD7405CWT	KD7405DWH
Detection sensitivity ^{Note 1}	Metal sphere 0.2 mm dia., ^{Note 2} SUS wire 0.2 mm dia. x 2 mm long	SUS sphere 0.3 mm dia., SUS wire 0.2 mm dia. x 2 mm long
X-ray output	Maximum 60 kV, 300 W (variable voltage and current) ^{Note 3}	Maximum 80 kV, 350 W (variable voltage and current)
Safety	X-ray leakage dose: Maximum 1 μ Sv/h or less, Prevention of X-ray leakage by safety device	
Display	15-inch Color TFT LCD (unified image monitoring screen and operation screen)	
Operation method	Touch panel	
Product size ^{Note 4}	Maximum width: 240 mm, Maximum height: 120 mm (Detectable range is shown above)	
Belt width	270 mm	
Masking function	Equipped as standard	
Missing product detection function	Equipped as standard	
Clip check function	Equipped as standard	
Preset memory	Maximum 100	
Belt speed ^{Note 5}	10 to 60 m/min, Maximum 5 kg	
Maximum product weight ^{Note 6}	10 to 90 m/min, Maximum 2 kg	
	5 to 40 m/min, Maximum 10 kg (Option)	
Power requirements ^{Note 7}	100 to 120 Vac \pm 10%, or 200 to 240 Vac \pm 10%, single phase, 50/60 Hz, 1 kVA, rush current 80 A (typ.) (5 ms or less)	
Mass	230 kg	
Environmental conditions	Temperature 0° to 35°C, relative humidity 30% to 85%, non-condensing	
Protection class	IP66 Compliance (for conveyor), IP40 Compliance (for other parts), one-touch removable belt	
Casing material	Stainless steel (SUS304)	

Note 1 : Actual sensitivity depends on the physical properties of a product (contents and shape) and on the environmental conditions.

Note 2 : Reference value using Anritsu test piece.

Note 3 : Maximum 80 kV, 350 W (variable voltage and current) is also available.

Note 4 : The entrance and exit may require covers depending on the length of a product.

Note 5 : Variable depending on Product No.

Note 6 : Sum total of product weight on the conveyor.

Note 7 : Selectable by switching terminals. Note that the rush current shown above is at an AC voltage of 200 V. It varies according to voltage.

Wide-Conveyor Type Available for High-Sensitivity Detection of Low-Contrast Contaminants (KD7416DWH) (KD7417DWH)

KD7416DWH / KD7417DWH

Features

● High Resolution Images

A new detector offers high-resolution X-ray images.

● New algorithm optimally tuned for detector

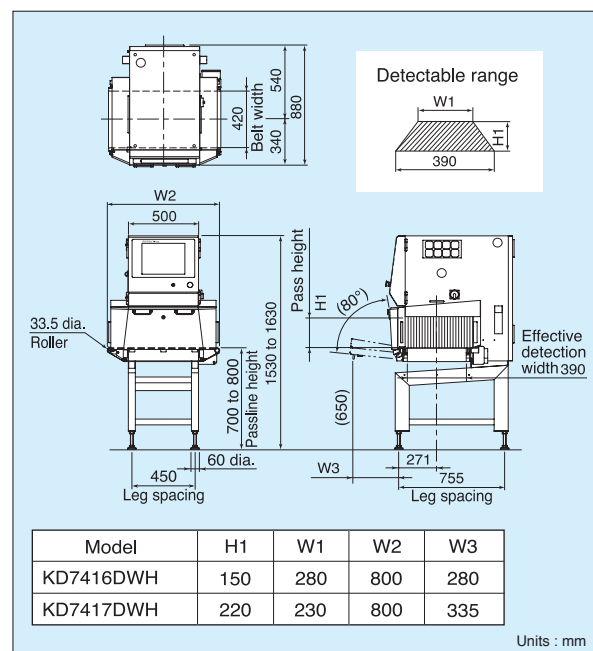
Anritsu's original algorithm tuned for its new detector offers highly sensitive detection of low-contrast contaminants, such as bone and plastics.

The detection sensitivity has improved by up to four ranks (in-house comparison).

● Smoother operability

A new controller supports faster operation with excellent operability as well as user-friendly simple functions.

External Dimensions



Specifications

Model	KD7416DWH	KD7417DWH
Detection sensitivity ^{Note 1}	SUS sphere 0.3 mm dia., SUS wire 0.2 mm dia. x 2 mm long	
X-ray output	Maximum 80 kV, 350 W (variable voltage and current)	
Safety	X-ray leakage dose: Maximum 1 μ Sv/h or less, Prevention of X-ray leakage by safety device	
Display	15-inch Color TFT LCD (unified image monitoring screen and operation screen)	
Operation method	Touch panel	
Product size ^{Note 2, Note 3}	Maximum width	390 mm
	Maximum height	150 mm
Belt width	420 mm	
Masking function	Equipped as standard	
Missing product detection function	Equipped as standard	
Clip check function	Equipped as standard	
Preset memory	Maximum 100	
Belt speed ^{Note 4}	5 to 60 m/min, Maximum 5 kg	5 to 40 m/min, Maximum 10 kg
Maximum product weight ^{Note 5}	5 to 40 m/min, Maximum 10 kg (Option)	
Power requirements ^{Note 6}	100 to 120 Vac \pm 10%, or 200 to 240 Vac \pm 10%, single phase, 50/60 Hz, 1 kVA, rush current 80 A (typ.) (5 ms or less)	
Mass	280 kg	
Environmental conditions	Temperature 0° to 35°C, relative humidity 30% to 85%, non-condensing	
Protection class	IP66 Compliance (for conveyor), IP40 Compliance (for other parts), one-touch removable belt	
Casing material	Stainless steel (SUS304)	

Note 1 : Actual sensitivity depends on the physical properties of a product (contents and shape) and on the environmental conditions.

Note 2 : Detectable range is shown above.

Note 3 : The entrance and exit may require covers depending on the length of a product.

Note 4 : Variable depending on Product No.

Note 5 : Sum total of product weight on the conveyor.

Note 6 : Selectable by switching terminals. Note that the rush current shown above is at an AC voltage of 200 V. It varies according to voltage.

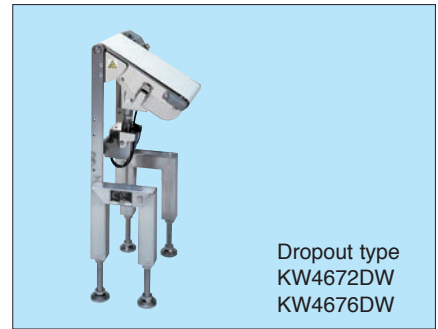
Rejector



Flipper type
KW4103AW
KW4104AW



Air Jet type
KW4822BW



Dropout type
KW4672DW
KW4676DW

Anritsu

ANRITSU INDUSTRIAL SOLUTIONS CO., LTD.

INTERNATIONAL SALES DEPARTMENT
5-1-1 Onna, Atsugi-shi, Kanagawa-Prf., 243-0032, JAPAN
PHONE +81 46 296 6699
FAX +81 46 225 8387
<http://www.anritsu-industry.com/E>

CAT. NO. K3133-B-2



ISO14001 CERTIFICATE No.JQA-EM0210
ISO 9001 CERTIFICATE No.JQA-0566
©ANRITSU INDUSTRIAL SOLUTIONS CO., LTD. 2010

- Follow the local laws and regulations regarding the installation and use of X-ray Inspection Systems.
- In addition to daily inspection, an annual maintenance check should be carried out.
- To ensure proper operation, read the Operation Manual before using the machine.

Specifications are subject to change without notice.
No part of this catalog may be reproduced without our permission.

Printed on Recycled Paper

2010-6 5 (ddc/CDT) Printed in Japan